

ROTOPLAT 507

ROTOPLAT 707

TURNTABLE STRETCH WRAPPING MACHINES



ROBOPAC 

ROTOPLAT 507

ROTOPLAT 707

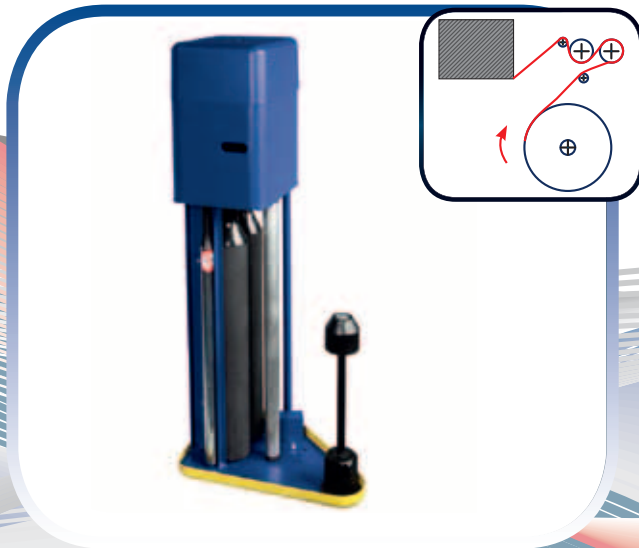
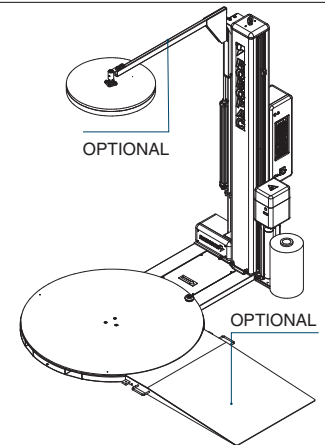
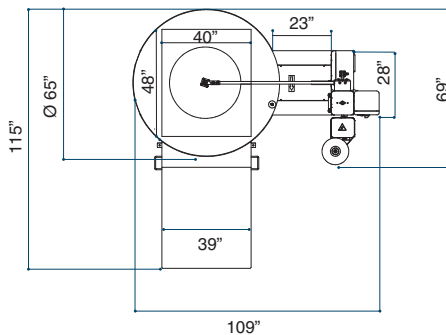
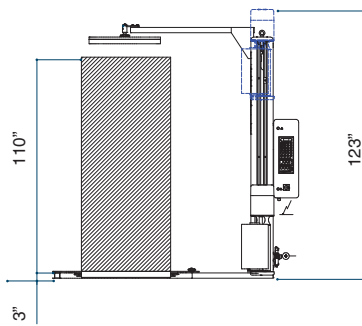
TURNTABLE STRETCH WRAPPING MACHINES



TECHNICAL FEATURES*

MACHINE	ROTOPLAT 507	ROTOPLAT 707
Turntable diameter	65" Diamond Plated Standard	65" Diamond Plated Standard
Turntable capacity (lbs)	4400 lbs (optional 5500 lbs.)	4400 lbs (optional 5500 lbs.)
Number of turntable casters	16 Std	16 Std
Max wrapping height STD	110"	110"
Roll carriage type	Power Dual PreStretch (Variable to 250%)	Power Variable PreStretch (variable to 400%)
Front and rear forklifting access	STD	STD
ELECTRICAL REQUIREMENTS		
Power supply VAC	110 V (60 Hz)	110V (60 Hz)
Turntable motor power	1 HP (vac)	1 HP (vac)
Pre-stretch motor power	0.3/0.41 HP	0.3/0.41 HP
Film carriage lift motor	0.3/0.41 HP	0.3/0.41 HP
CONTROL		
Soft start	STD	STD
Adjustable film carriage speed	5.2 - 14.5 ft/min	5.2 - 14.5 ft/min
Load height sensing by photocell	Black Product Photoeye Std	Black Product Photoeye Std
Table rotation speed control	4 - 15 RPM	4 - 15 RPM
4 Programmable Wrapping Menus	Std	Std

ROTOPLAT 507/ 707



Power Dual PreStretch Roll Carriage

The Power Dual PreStretch System delivers 250% prestretch using fixed gears. You can switch to variable prestretch by activating the Double Stretch "S" Button on the operator panel. The force-to-load is also adjustable from the operator control panel. Robopac's patented, high performance S-Wrap Pattern (with Quick Load System) and load cell anti-tearing device give you Total Film Control.
 -20" carriage standard
 -30" carriage optional



Power Variable PreStretch Roll Carriage

The Power Variable PreStretch System offers you the ability to adjust the prestretch from 100% up to 400% using two independent variable AC motors. Both the PreStretch and the force-to-load are adjustable from operator control panel. Robopac's patented, high performance S-Wrap Pattern (with Quick Load System) and load cell anti-tearing device give you Total Film Control.
 -20" carriage standard -30" carriage optional
 (Power Variable PreStretch is standard on 707 and available on WT and Technoplat machines)